

TIOGA KNOCK DOWN OEM DOOR



TIOGA DOORS

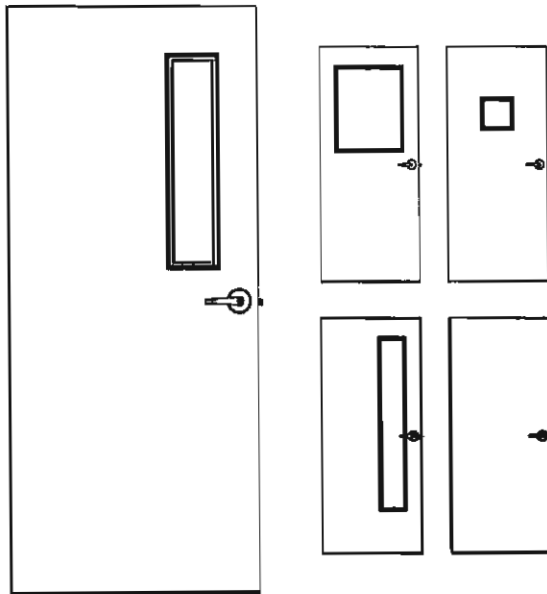
MADE IN USA

Wind Rated
Florida Approved

offer a complete line of standard hollow metal doors to fit your needs. Doors are available in 20 and 18 gauge steel. All doors come with a polystyrene core as standard, making every door smoother, flatter, and stronger. All door panels are manufactured from high quality galvanized steel and are thoroughly cleaned inside and out to insure excellent corrosion resistance and paint adhesion. Doors come standard with a prime coat white or bronze, ready to be finished. Factory applied finish coat paint is available in many colors. Contact customer service for pricing and quantities required, for factory finish paint.

follows the same set of performance specifications as other door manufacturers, as set forth in the Steel Door Institute (SDI) requirements.

- Insulated with polystyrene core
- Non-handed
- Galvanized (standard)
- Fire rated up to 3 hours
- 7 gauge hinge reinforcements
- Reinforced 161 lock prep
- Closer reinforcement (standard)
- Meets ANSI standards
- Universal 4 1/2" hinge prep
- Inverted top and bottom channel
- Installed steel cap standard
- Available with polyurethane core



FEATURES AND BENEFITS:

Spartan Series Doors offer the following standard unique features, which enhance long term performance and durability.

1. Polystyrene core system enhances the structural integrity of the door, while significantly reducing the weight.
2. Full height, epoxy filled mechanical interlock edges provide structural support and stability along the full height of the door edges.
3. Patented universal hinge preparations allow for easy field conversion from standard weight (.134) hinges to heavy weight (.180) hinges.
4. 18 gage top and bottom channels provide stability and protection for the top and bottom edges from abuse.
5. Square hinge and lock edges allow for non-handed options and eliminate handing issues in the field.
6. All steel glass trim provides a clean, neat, and flush finish with the door surface.
7. Factory applied baked on rust inhibiting primer in accordance with ANSI A250.10.
8. Calculated R-Value of 7.14

ABOUT THE PRODUCT:

The Spartan Series Doors are designed to meet the architectural requirements for hollow metal doors. This premium door construction combines the strength and dimensional stability of steel with the structural integrity of the polystyrene core. The continuous bonding of core to metal provides an attractive flat door, free of face welding marks. Windstorm Tests have proven that the Spartan door has integral high resistance to impact damage, low thermal conductivity, and high STC ratings. To meet application, specification and performance requirements, the Spartan doors offer a wide range of specifiable options including sizes, glass lite designs, hardware (mechanical, pneumatic, electrical) preparations and edge constructions.

SPECIFICATION COMPLIANCE:

1. Door construction for the Spartan Series Hollow Metal Doors meets the requirements of ANSI A250.8-1998 (commonly referred to as SDI-100).
2. Hardware preparations and reinforcements are in accordance with ANSI A250.6-1997. Locations are in accordance with ANSI/DHI A115.

FIRE RATINGS:

The Spartan Series doors meet the broadest fire rating requirements. They are listed for installations requiring compliance to both negative pressure testing (ASTM E152 and UL-10B) and positive pressure standards (UBC 7-2 and UL-10C)

Steel Thickness	Opening	Usage Frequency ¹	Frame Applications
16-Gage Galv. annealed ²	Interior & Exterior	Extra-Heavy Duty	16 & 14-Gage Steel Frames
18-Gage Galv. annealed ²	Interior & Exterior	Heavy Duty	16-Gage Steel Frames
20-Gage Galv. annealed ²	Interior & Exterior	Standard Duty	16-Gage Steel Frames

¹Usage frequency is based on ANSI A250.8-1998
²Reinforcements for galvanized doors are also galvanized

MATERIAL:

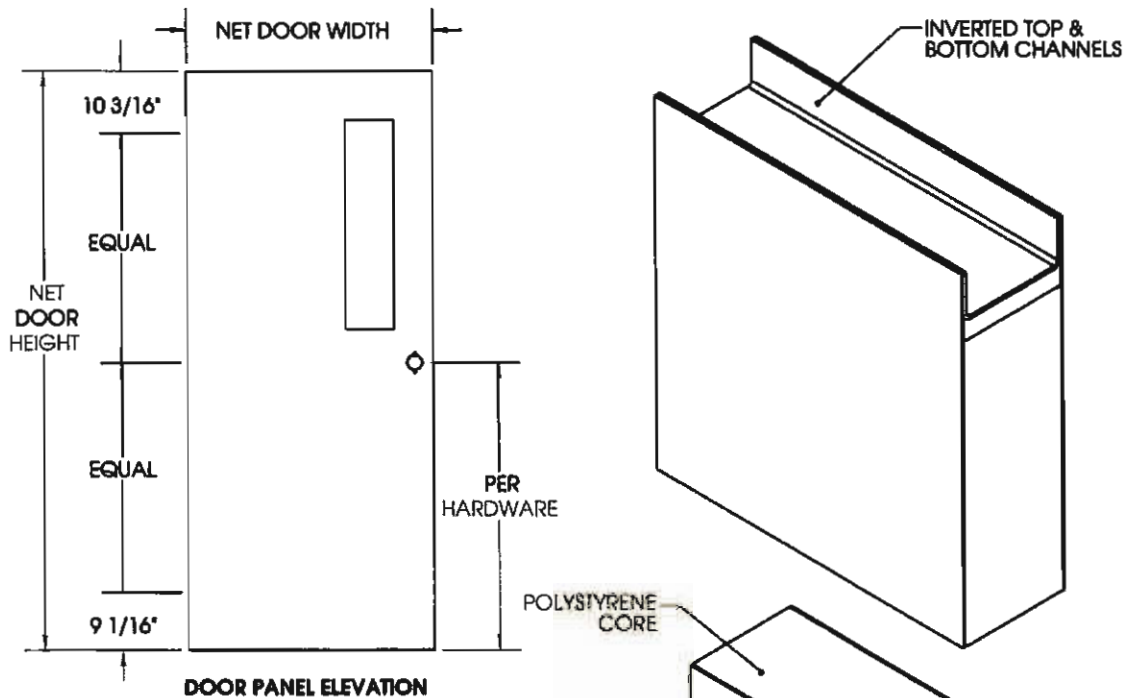
All doors are supplied with a factory applied baked on coat of paint, depending on environmental conditions this factory applied paint may serve as a finished paint or may be finish painted in the field.

Core Material	R-Value	U-Value
Polystyrene	7.14	0.14
Polyurethane	11.01	0.091

Core Material	STC-Rating
Polystyrene	33
Polyurethane	31

Technical Data

Doors & Frames

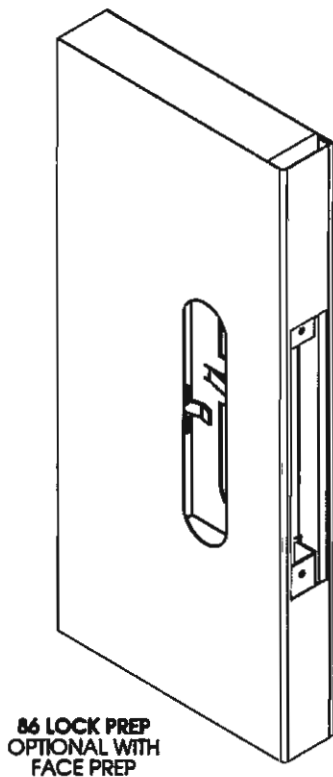
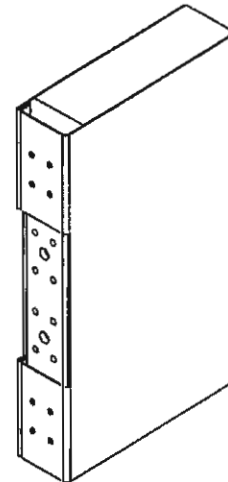
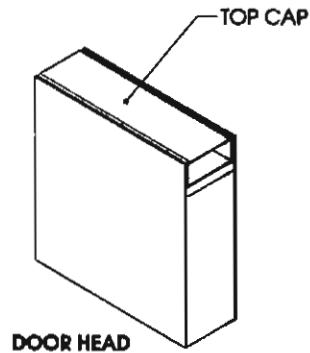
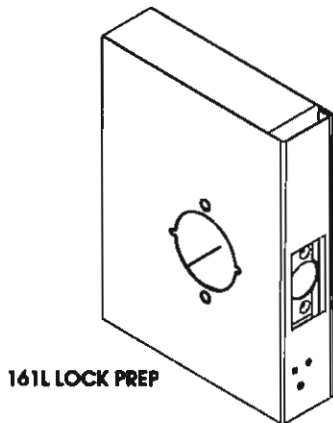


CONSTRUCTION NOTES:

1. Doors are 1 3/4" (45mm) thick.
2. Door opening size maximum:
Single door opening size 4'0" x 8'0" (1219mm x 3048mm)
Double door opening size 8'0" x 8'0" (2438mm x 3048mm)
3. Standard operating clearances (installed in frame):
Head = 1/8" (3mm) to bottom of head or transom panel
Hinge and lock side = 3/32" (2mm) to rabbet on jamb
4. Standard core system:
1.0 lb/ft³ Polystyrene core is laminated to both face sheets with contact adhesive.
5. Hardware preparations: to meet specifications, doors can be prepared for all commercial mortised hardware, and can be factory reinforced for surface applied hardware applications.
 - Lock preps - details and dimensions shown are for cylindrical (ANSI 115.2) type locks or for mortise (ANSI A115.1) locks.

Technical Data

Doors & Frames



GENERAL NOTES:

- Edge construction:**
 - Vertical edges (both hinge and lock) are square with a visible seam.
 - Top and bottom edges are closed with inverted 18-gage welded channels. Exterior applications require the addition of snap-in top caps to protect against the weather.
- Optional cores available in the Spartan Series door construction:
 - Polystyrene for exterior applications in extreme weather conditions.
 - Polyurethane for exterior applications in arctic weather conditions. Not Fire Rated.
- Standard hardware preparations: standard mortised and reinforced for:
 - Universal hinge preps - 4 1/2" (114mm) patented preparation which allows easy and quick field conversion from standard to heavy weight hinges.
 - Locks - A multitude of standard lock preps are available. The most commonly used with a 47/8" (124mm) strike are 161, 61L and 86.

INSTALLATION:

- Installation shall conform to the published installation instructions, SDI 105 Recommended Installation Instructions for Steel Frames, and ANSI/DHI A115-IG Installation Guide for Doors and Hardware.
- Fire Rated Assemblies must be in accordance with NFPA Pamphlet 80. The Authority Having Jurisdiction is the final authority in issues related to the installation and use of installed Fire Rated Doors.

TIOGA DOORS

PRE-ASSEMBLED COMMERCIAL DOORS

**WIND RATED /
FLORIDA APPROVED**

Standard Features:

- **Door Leaf** 20 gauge insulated door, galvanized, heavy duty hinge reinforcements, non-handed (reversible)
- **Frame** 16 gauge, galvanized, heavy duty hinge reinforcement, non-handed (reversible), standard profile
- **Sub Frame** 16 gauge, galvanized, paintable
- **Hardware** Extra heavy duty lever lock (LC2481 CTL 26D), latchguard, 4.5" x 4.5" BB NRP hinges 26D, threshold ADA compliant, door bottom sweep, adjustable weather seal, adjustable "L" mounting clips
- **SDI Standards** TELL MFG follows the same set of performance specifications as other door manufacturers, as set forth in the Steel Door Institute (SDI) requirements.

Common Features:

- Complete preassembly in factory
- White or Bronze finish
- Heavy duty crating, per job

Optional Features:

- Door(s) may be upgraded to 18 gauge.
- All hardware sold by Tell Manufacturing, Inc. can be added or substituted as an option.
- Masonry system available
- Fire rated system available

WIND RATED CERTIFICATION, FL APPROVAL # / WIND RATED ~ SINGLE

FL #	MODEL, NUMBER OR NAME	DESCRIPTION
13889.4	TIOGA DOORWAY SYSTEM	TIOGA DOORWAY SYSTEM TDS-S-PA-WS OS STEEL SINGLE DOOR

Limits of Use:

Approved for use in HVHZ: Yes
 Approved for use outside HVHZ: Yes
 Impact Resistant: Yes
 Design Pressure: +50/-50
 Other: PRODUCT WAS NOT TESTED FOR WATER PENETRATION AND IS TO BE INSTALLED IN AREAS WHERE WATER RESISTANCE IS NOT REQUIRED

Installation Instructions:

FL13889 R0 II 08-01021.PDF
 Verified By: Luis Roberto Lomas 62514
 Created by Independent Third Party: Yes
Evaluation Reports:
 FL13889 R0 AE 511586.PDF
 FL13889 R0 AE FOAM CERTIFICATE.PDF
 Created by Independent Third Party: Yes

TIOGA™ DOORWAY SYSTEMS - SINGLE- WINDSTORM ASSEMBLIES (TDS-S-WS)

THE FOLLOWING DOOR, FRAME AND HARDWARE SYSTEMS ARE DESIGNED TO MEET THE REQUIREMENTS OF:

- TAS 201, IMPACT TEST PROCEDURES
- TAS 202, CRITERIA FOR TESTING IMPACT & NON-IMPACT RESISTANT BUILDING ENVELOPE COMPONENTS USING UNIFORM STATIC AIR PRESSURE
- TAS 203, CRITERIA FOR TESTING PRODUCTS SUBJECT TO CYCLIC WIND PRESSURE LOADING

LIMITS OF USE

APPROVED FOR USE IN HVHZ: YES
 APPROVED FOR USE OUTSIDE HVHZ: YES
 IMPACT RESISTANT: YES
 DESIGN PRESSURE: +50/-50 PSF
 OTHER: NONE

SAMPLE: 0A (TDS-S-KD-A-WS)

- TIOGA DOORWAY SYSTEM - SINGLE - WINDSTORM ASSEMBLY
- KNOCK-DOWN (KD) SYSTEM
 - HARDWARE SET A
 - 1 CYLINDRICAL LOCK LC1200 SERIES, TELL MFG., INC.
 - 3 HINGES, H4545BBNRP, TELL MFG., INC.
 - 1 THRESHOLD, 1/2" HIGH ALUMINUM
 - 1 SET KERF WEATHERSTRIPPING
 - 1 DOOR SWEEP, DT100101, TELL MFG., INC.

SAMPLE: 0B (TDS-S-KD-B-WS)

- TIOGA DOORWAY SYSTEM - SINGLE - WINDSTORM ASSEMBLY
- KNOCK-DOWN (KD) SYSTEM
 - HARDWARE SET B
 - 1 MORTISE LOCK, ML1300 SERIES, TELL MFG., INC.
 - 3 HINGES, H4545BBNRP, TELL MFG., INC.
 - 1 THRESHOLD, 1/2" HIGH ALUMINUM
 - 1 SET KERF WEATHERSTRIPPING
 - 1 DOOR SWEEP, DT100101, TELL MFG., INC.

SAMPLE: 0C (TDS-S-KD-C-WS)

- TIOGA DOORWAY SYSTEM - SINGLE - WINDSTORM ASSEMBLY
- KNOCK-DOWN (KD) SYSTEM
 - HARDWARE SET C
 - 1 RIM PANIC DEVICE, 9500 SERIES, TELL MFG., INC.
 - 3 HINGES, H4545BBNRP, TELL MFG., INC.
 - 1 THRESHOLD, 1/2" HIGH ALUMINUM
 - 1 SET KERF WEATHERSTRIPPING
 - 1 DOOR SWEEP, DT100101, TELL MFG., INC.

SAMPLE: 10A (TDS-S-PA-A-WS)

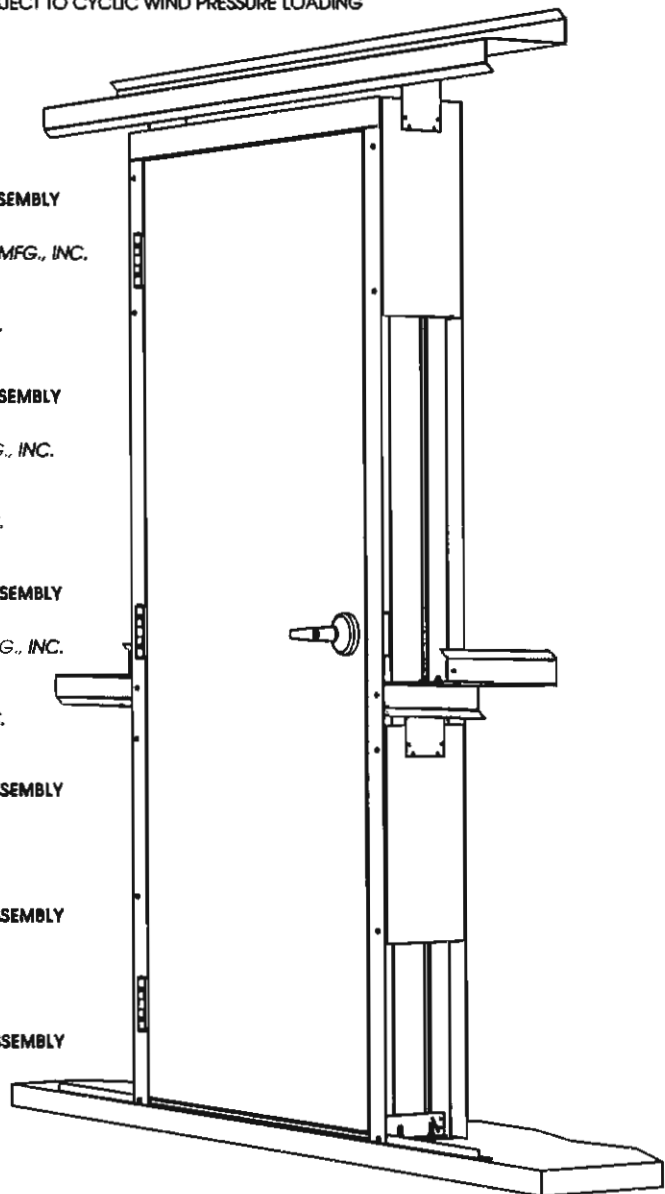
- TIOGA DOORWAY SYSTEM - SINGLE - WINDSTORM ASSEMBLY
- PRE-ASSEMBLED (PA) SYSTEM
 - HARDWARE SET A
 - SAME AS 0A

SAMPLE: 10B (TDS-S-PA-B-WS)

- TIOGA DOORWAY SYSTEM - SINGLE - WINDSTORM ASSEMBLY
- PRE-ASSEMBLED (PA) SYSTEM
 - HARDWARE SET B
 - SAME AS 0B

SAMPLE: 10C (TDS-S-PA-C-WS)

- TIOGA DOORWAY SYSTEM - SINGLE - WINDSTORM ASSEMBLY
- PRE-ASSEMBLED (PA) SYSTEM
 - HARDWARE SET C
 - SAME AS 0C



WIND RATED CERTIFICATION, FL APPROVAL # / WIND RATED ~ DOUBLE

FL #	MODEL, NUMBER OR NAME	DESCRIPTION
13889.2	TIOGA DOORWAY SYSTEM	TIOGA DOORWAY SYSTEM TDS-D-PA-WS OS STEEL DOUBLE DOOR
Limits of Use: Approved for use in HVHZ: Yes Approved for use outside HVHZ: Yes Impact Resistant: Yes Design Pressure: +50/-50 Other: PRODUCT WAS NOT TESTED FOR WATER PENETRATION AND IS TO BE INSTALLED IN AREAS WHERE WATER RESISTANCE IS NOT REQUIRED		Installation Instructions: FL13889 R0 II 08-01019.PDF Verified By: Luis Roberto Lomas 62514 Created by Independent Third Party: Yes Evaluation Reports: FL13889 R0 AE 511584.PDF FL13889 R0 AE FOAM CERTIFICATE.PDF Created by Independent Third Party: Yes

TIOGA™ DOORWAY SYSTEMS - DOUBLE- WINDSTORM ASSEMBLIES (TDS-D-WS)

THE FOLLOWING DOOR, FRAME AND HARDWARE SYSTEMS ARE DESIGNED TO MEET THE REQUIREMENTS OF:

- TAS 201, IMPACT TEST PROCEDURES
- TAS 202, CRITERIA FOR TESTING IMPACT & NON-IMPACT RESISTANT BUILDING ENVELOPE COMPONENTS USING UNIFORM STATIC AIR PRESSURE
- TAS 203, CRITERIA FOR TESTING PRODUCTS SUBJECT TO CYCLIC WIND PRESSURE LOADING

LIMITS OF USE

APPROVED FOR USE IN HVHZ: YES
 APPROVED FOR USE OUTSIDE HVHZ: YES
 IMPACT RESISTANT: YES
 DESIGN PRESSURE: +50/-50 PSF
 OTHER: NONE

SAMPLE: 20 (TDS-D-KD-D-WS)

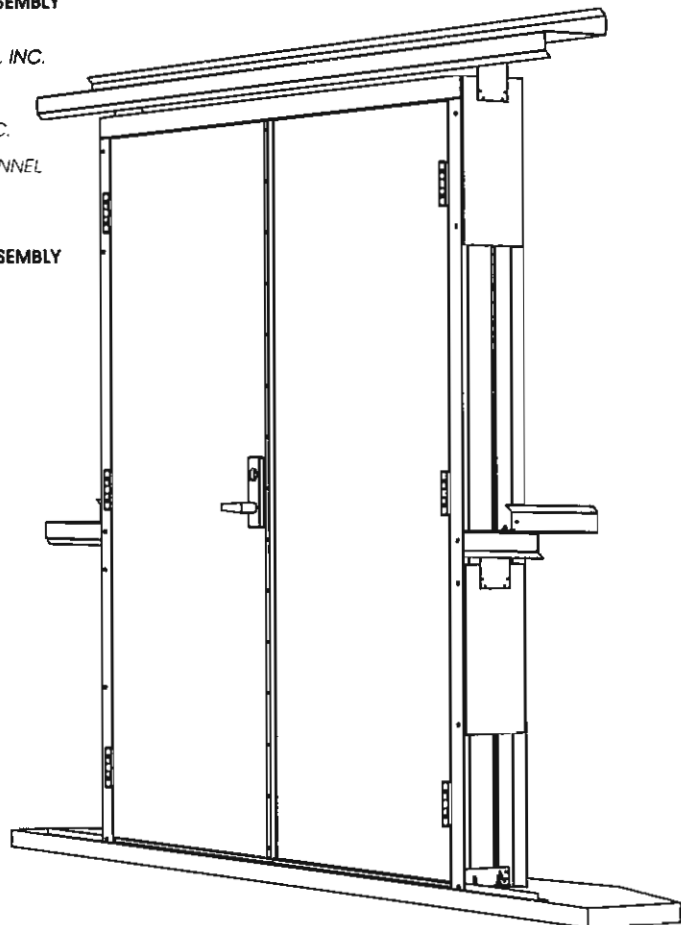
TIOGA DOORWAY SYSTEM - DOUBLE - WINDSTORM ASSEMBLY

- KNOCK-DOWN (KD) FRAME
- HARDWARE SET D
 - 1 MORTISE LOCK, ML1300 SERIES, TELL MFG., INC.
 - 6 HINGES, H4545BNNRP, TELL MFG., INC.
 - 1 THRESHOLD, 1/2" HIGH ALUMINUM
 - 1 SET KERF WEATHERSTRIPPING
 - 2 SURFACE BOLTS, 988Y, YALE SECURITY, INC.
 - 2 DOOR SWEEP, DT100101, TELL MFG., INC.
 - 1 TWO PIECE STEEL ASTRAGAL / EDGE CHANNEL

SAMPLE: 30 (TDS-D-PA-D-WS)

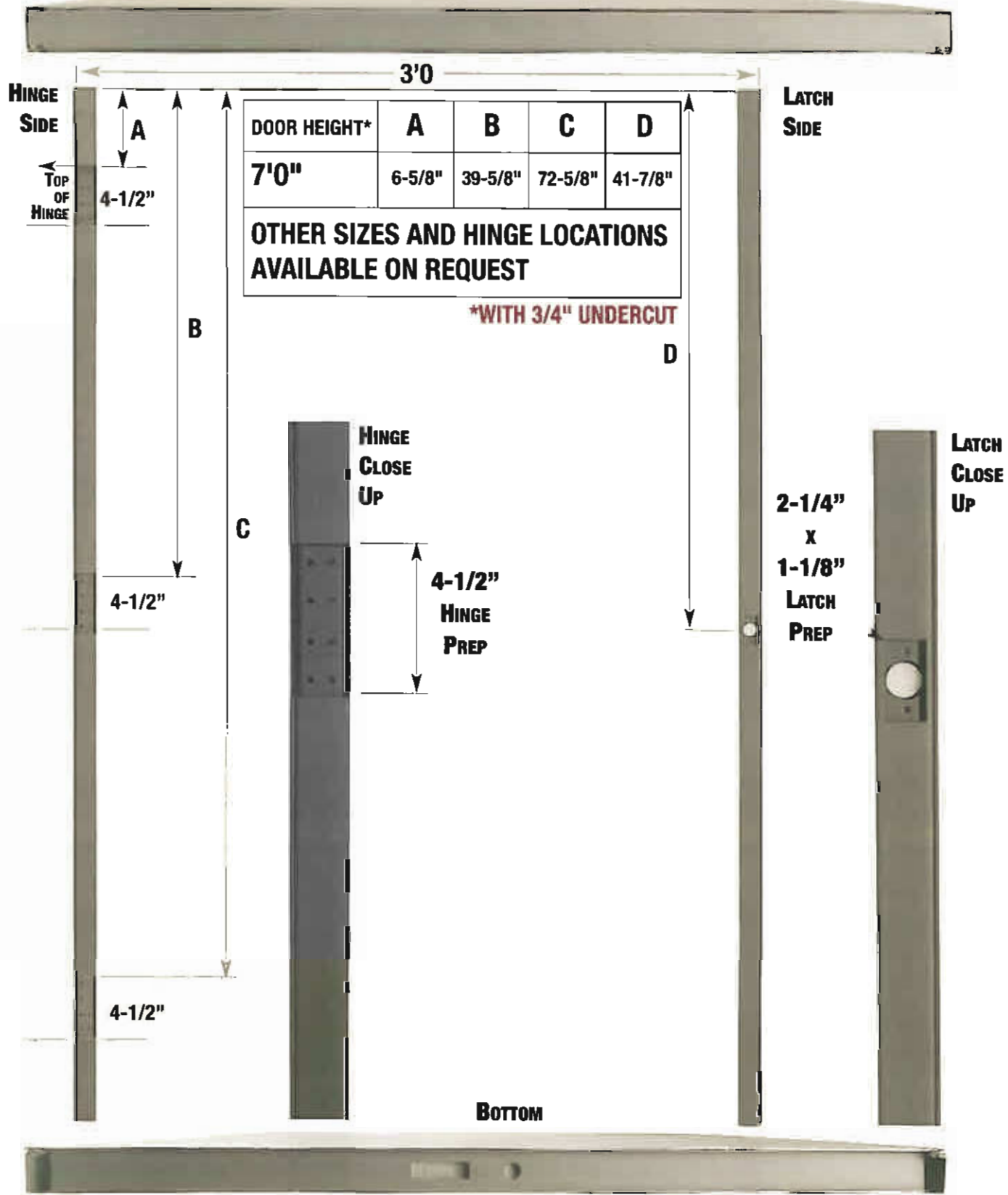
TIOGA DOORWAY SYSTEM - DOUBLE - WINDSTORM ASSEMBLY

- PRE-ASSEMBLED (PA) UNIT
- HARDWARE SET D
 - HARDWARE SAME AS 20



DOOR DIMENSIONS

Top



DOOR HEIGHT*	A	B	C	D
7'0"	6-5/8"	39-5/8"	72-5/8"	41-7/8"

OTHER SIZES AND HINGE LOCATIONS AVAILABLE ON REQUEST

**WITH 3/4" UNDERCUT*

**HINGE
CLOSE
UP**

**4-1/2"
HINGE
PREP**

**2-1/4"
X
1-1/8"
LATCH
PREP**

**LATCH
CLOSE
UP**

BOTTOM

Technical Data

TIOGA OEM KNOCK DOWN FRAME

offered in 16 gauge galvanized steel. Frames are knock-down construction. **FRAMES** are available for 1 3/4" thick doors as standard. Precision bolted corners provide a smooth attractive design and allow easy installation. **FRAMES** come standard with a prime coat ready to be finished white or bronze. Factory applied finish coat paint is available in many colors. Contact customer service for pricing and quantities required, for factory finish paint.

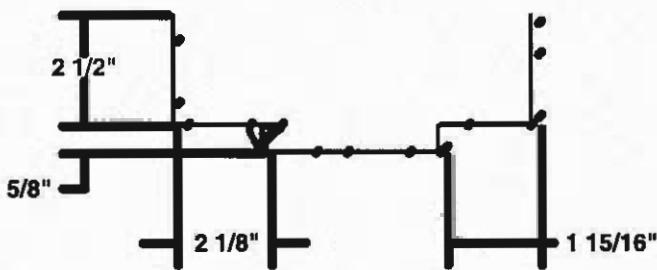
STANDARD FEATURES:

- 16 gauge for 1-3/4" doors
- Precision bolted corners
- Galvanized (standard)
- 7 gauge hinge reinforcements
- Heavy duty strike reinforcements
- Meets ANSI standards
- Universal 4 1/2" hinge prep

METAL BUILDING FRAMES

- Single Swing Frames / Non-Handed
- Pedestrian Door Frame Head
- Pedestrian Door Frame Hinge Jamb
- Pedestrian Door Frame Strike Jamb
- Sill Section
- Head to Girt Clip and Screw Pack
- K.D. Frame Assembly Details

STOCK PROFILE



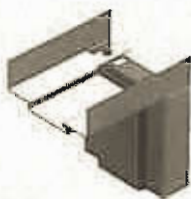
**HINGE
REINFORCEMENT**



**STRIKE
REINFORCEMENT**

TYPICAL BASE AND WALL ANCHORS

KD Head Condition



KD Jamb Profile

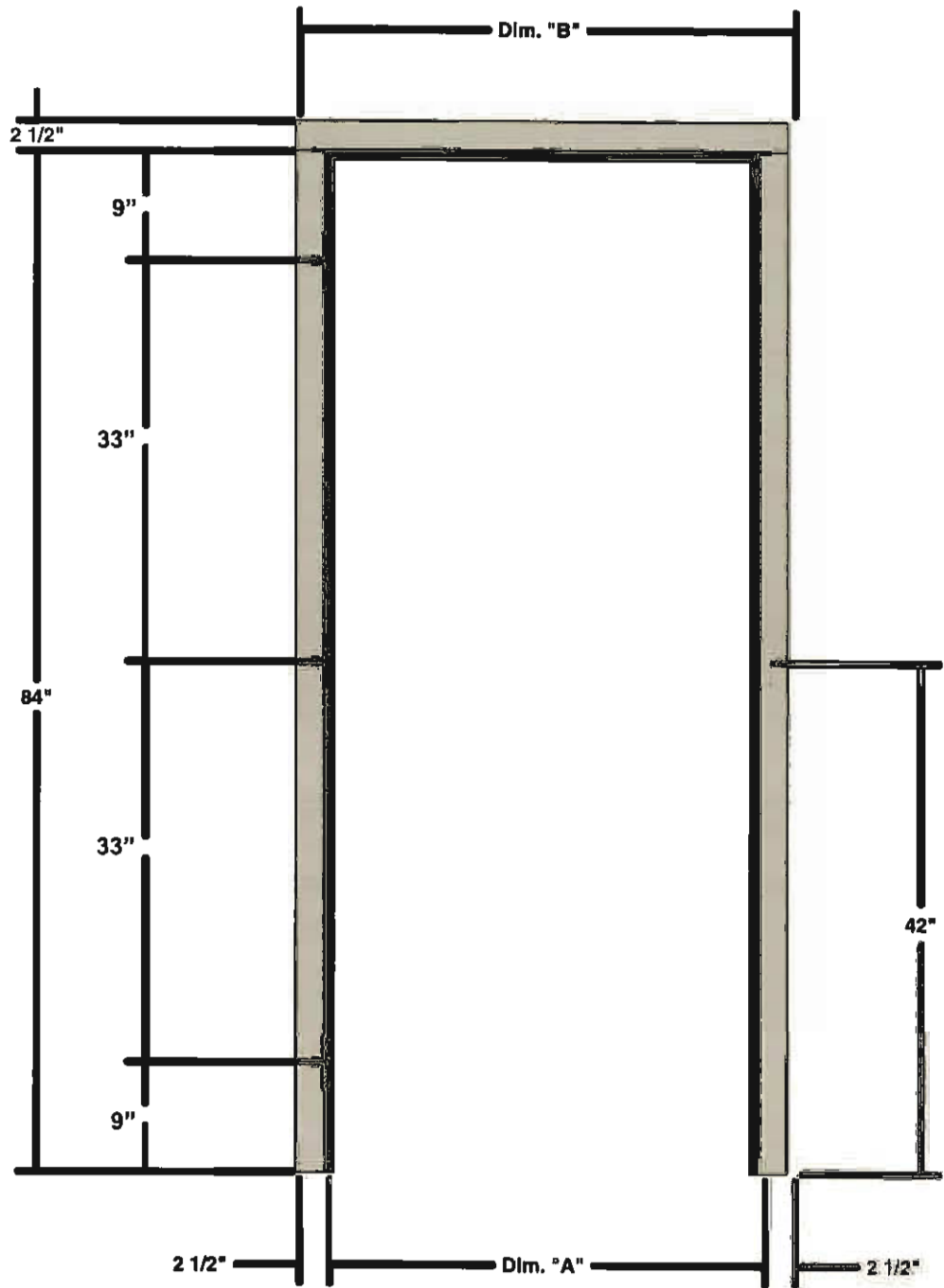


KD Jamb Sill Condition



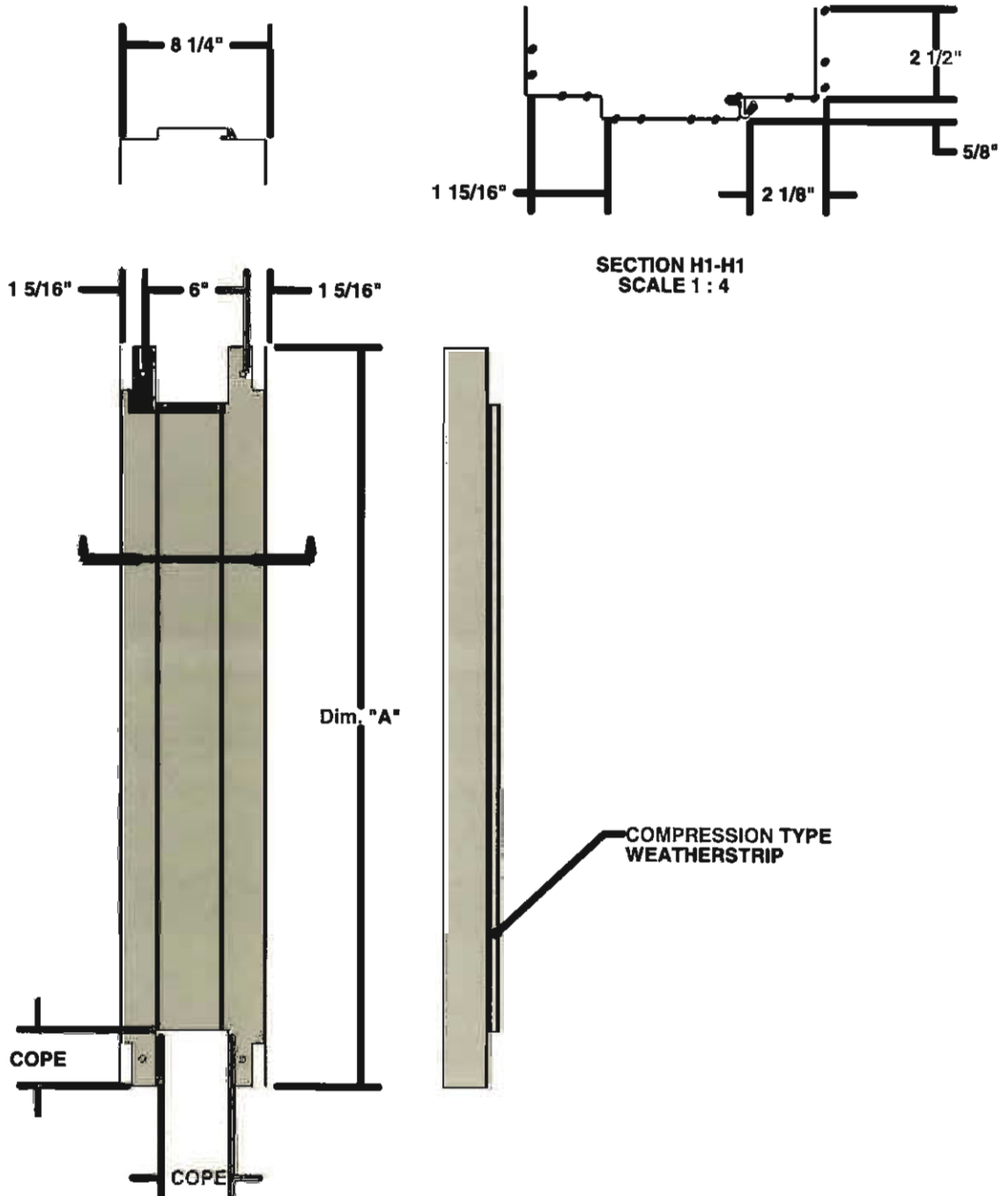
Technical Data

4-1/4" — 10-1/4" DEPTH KERFED



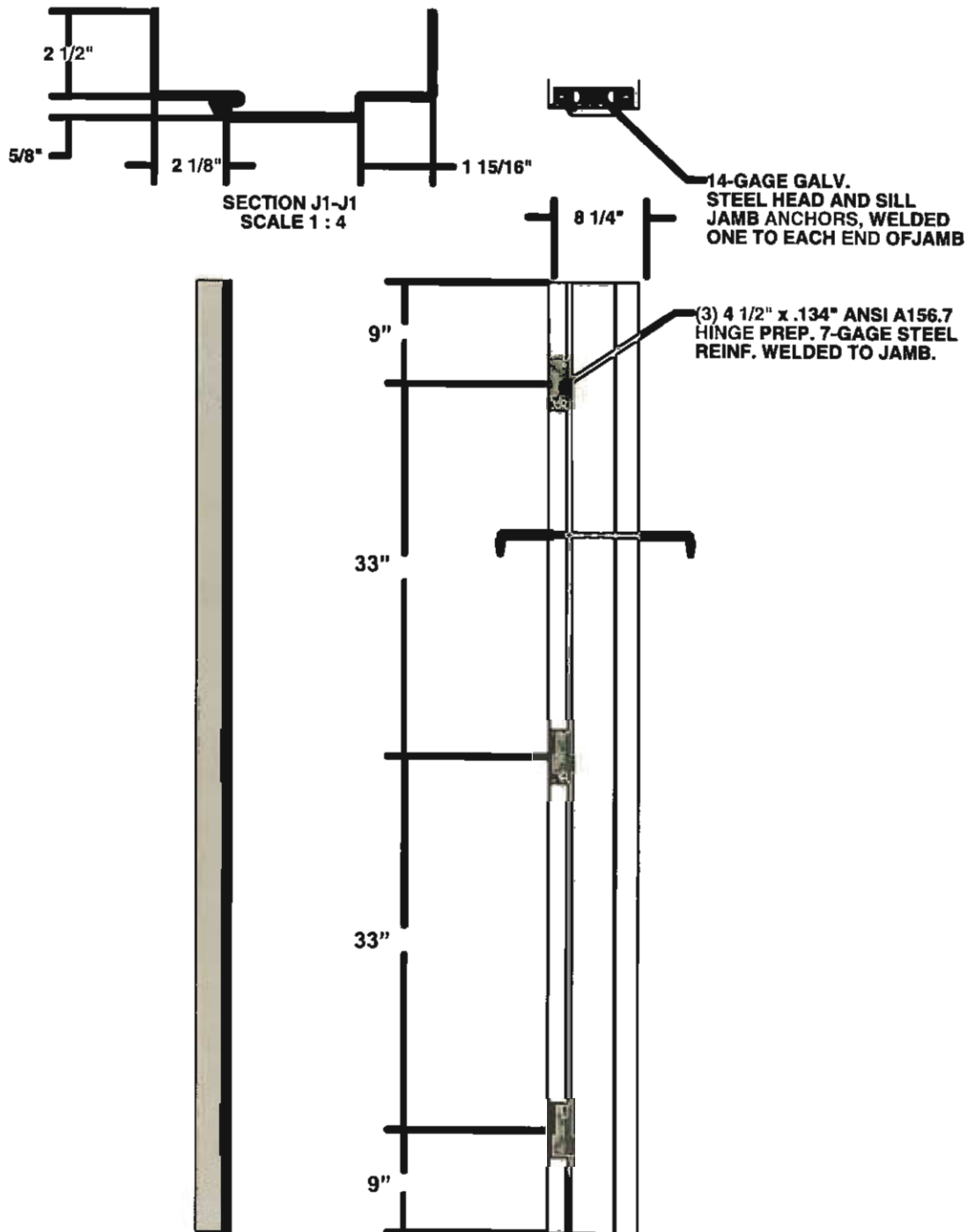
Technical Data

8-1/4" DEPTH KERFED



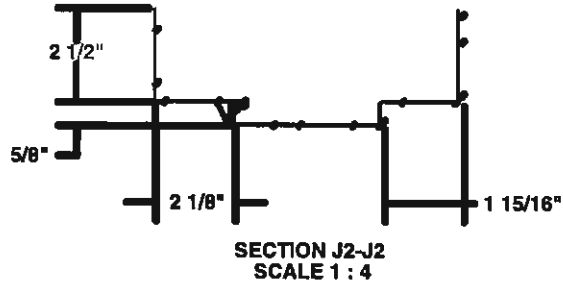
Technical Data

8-1/4" DEPTH KERFED

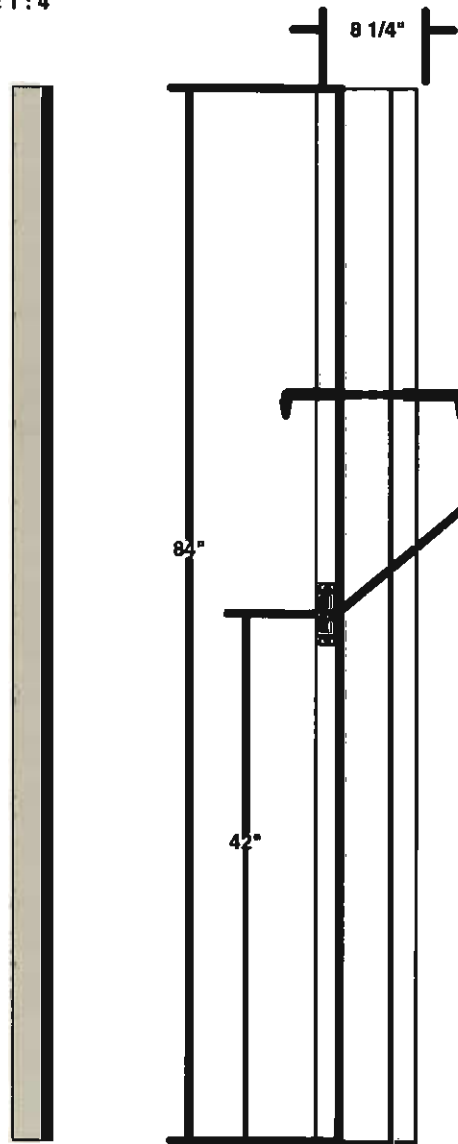


Technical Data

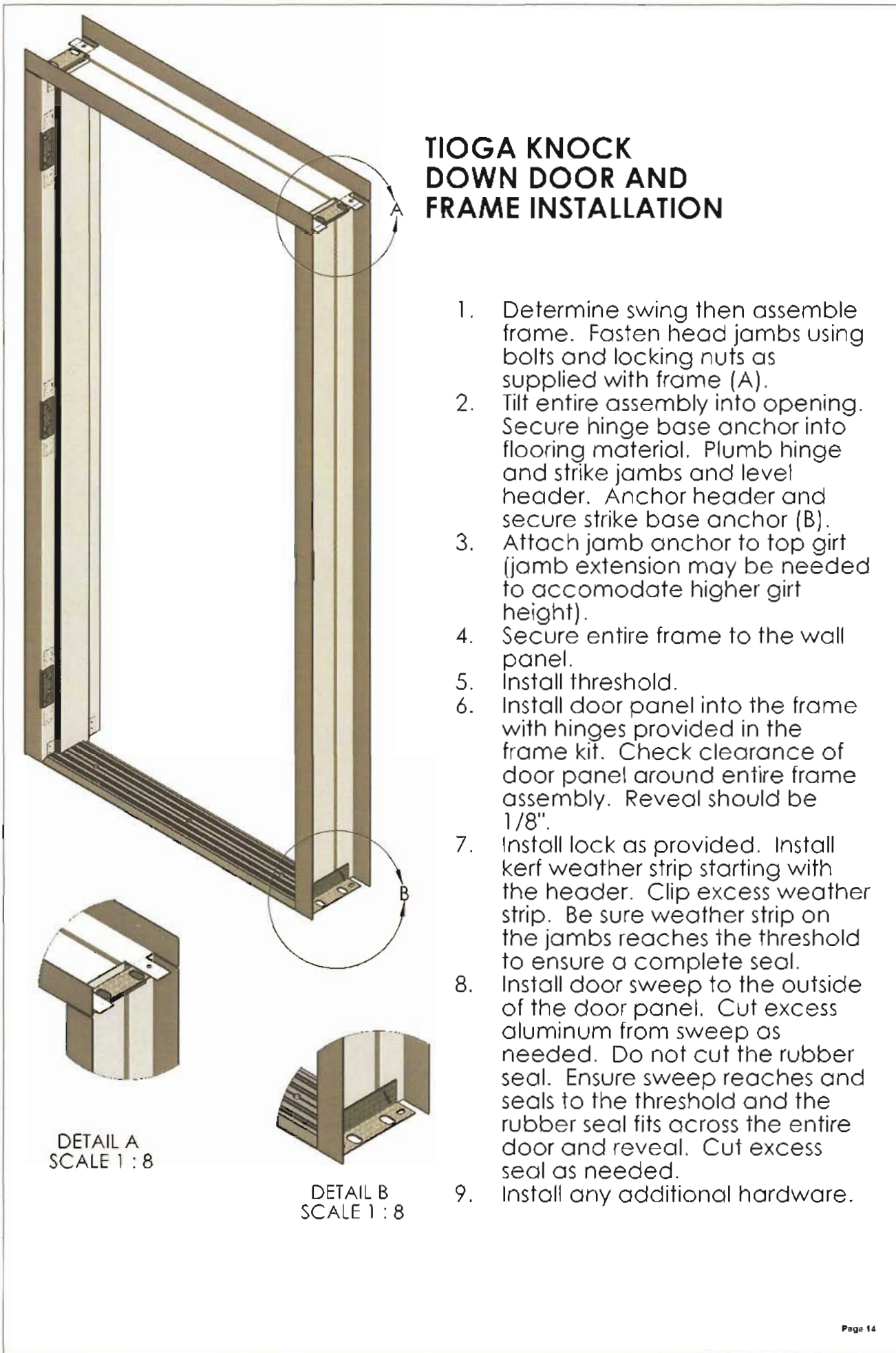
8-1/4" DEPTH KERFED



14-GAGE GALV. STEEL HEAD AND SILL JAMB ANCHORS, WELDED ONE TO EACH END OF JAMB



ANSI A115.1 & 2 (4 7/8") UNIVERSAL STRIKE PREP. 12-GAGE STEEL REINF. WELDED TO JAMB.



TIOGA KNOCK DOWN DOOR AND FRAME INSTALLATION

1. Determine swing then assemble frame. Fasten head jambs using bolts and locking nuts as supplied with frame (A).
2. Tilt entire assembly into opening. Secure hinge base anchor into flooring material. Plumb hinge and strike jambs and level header. Anchor header and secure strike base anchor (B).
3. Attach jamb anchor to top girt (jamb extension may be needed to accomodate higher girt height).
4. Secure entire frame to the wall panel.
5. Install threshold.
6. Install door panel into the frame with hinges provided in the frame kit. Check clearance of door panel around entire frame assembly. Reveal should be 1/8".
7. Install lock as provided. Install kerf weather strip starting with the header. Clip excess weather strip. Be sure weather strip on the jambs reaches the threshold to ensure a complete seal.
8. Install door sweep to the outside of the door panel. Cut excess aluminum from sweep as needed. Do not cut the rubber seal. Ensure sweep reaches and seals to the threshold and the rubber seal fits across the entire door and reveal. Cut excess seal as needed.
9. Install any additional hardware.

DETAIL A
SCALE 1 : 8

DETAIL B
SCALE 1 : 8



SPARTAN
SPARTAN

FRAMES
DRYWALL & MASONRY
FRAMES
DRYWALL & MASONRY



FRAMES

MADE IN USA

SPARTAN FRAMES in 16 gauge galvanized steel. Frames are knock-down construction and are designed to be installed on standard and non-standard wall sizes over pre-finished or unfinished drywall. **SPARTAN** steel frames are available for 1-3/4" thick doors. They have precision mitered corners, providing a smooth attractive design and easy installation. **SPARTAN FRAMES** come standard with a prime coat, ready to be finished. Factory applied finish coat paint is available in many colors. Contact customer service for pricing and quantities required, for factory finish paint.

TELL MFG follows the same set of performance specifications as other door manufacturers, as set forth in the Steel Door Institute (SDI) requirements.

Technical Data

DRYWALL FRAMES (DW)

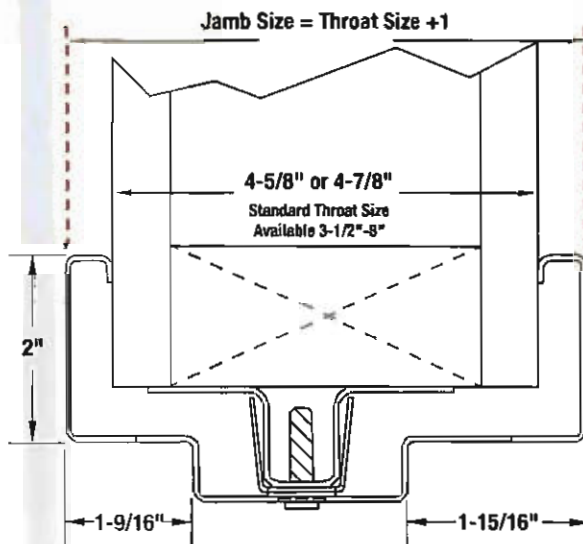
STANDARD FEATURES:

All **SPARTAN DRYWALL FRAMES** come with adjustable compression anchors in each jamb. These anchors provide a tight rigid fit in the opening.

- 16 gauge for 1-3/4" doors
- Precision fitted corners
- Galvannealed (standard)
- 7 gauge hinge reinforcements
- Heavy duty strike reinforcements
- Fire rated up to 1-1/2 hours. Available on frame openings up to 8'-0" high and 3'-8" wide single door, 7'-4" double door.
- Meets ANSI standards
- Universal 4 1/2" hinge prep



TYPICAL WALL CONSTRUCTION
Unequal Rabbet Frame



COMPRESSION ANCHOR



Technical Data

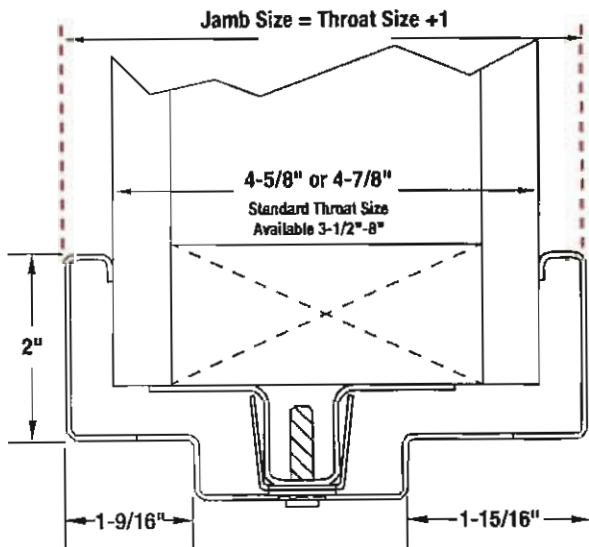
<p>Engineering Data — Spartan Drywall Frames Revision: 0</p>

ENGINEERING DATA FOR SPARTAN DRYWALL FRAMES SPECIFICATIONS:

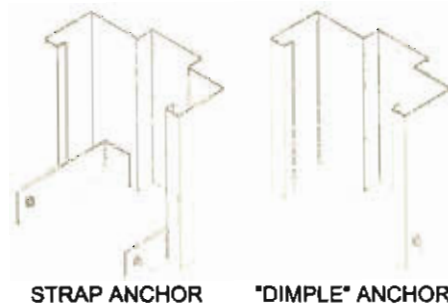
1. Will accommodate 1-3/4" doors.
2. Frames are manufactured from 16 gage steel. A1008, or Galvannealed ASTM A653.
3. Frames are knocked down and field assembled with mitered corner joint. Welded frames are available.



4. Integral compression anchors allow easy adjustment.



5. Snap-in, strap or dimple base anchors available.



6. Head jams are reinforced with closer reinforcements when required.
7. Hinge reinforcements are 10 ga (.125min) steel.
8. Strike preparation is 4-7/8 ASA with integral box. Deadbolt strike preps available.
9. Hinge and strike locations are available in manufacturers standard locations. Custom locations are available special order.

10. Frames are prepped for three silencers per single frames.
11. Frames are e-coated with environmentally friendly water base gray. E-coat will serve as primer or top coat. Special colors available on volume orders.
12. Shim plate is attached for on-site vertical shimming.
13. Fire rating (UL) is available for most sizes.
14. Frame structure complies with ANSI A250.8-2003.
15. Hardware preparations, reinforcements and locations comply with ANSI A250.6-2003 and ANSI/BHMA A156.115.

Technical Data

MASONRY FRAMES (MS)

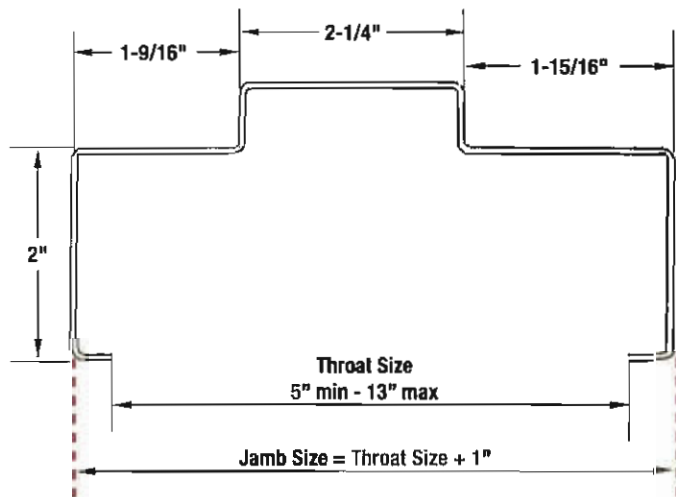
SPARTAN MASONRY FRAMES in 16 gauge galvanized steel. Frames are knock-down construction designed to be installed as a welded frame, or can be used as non welded. **SPARTAN MASONRY FRAMES** are available for 1 3/4" thick doors as standard. Precision interlocking corners provide a smooth attractive design and allow easy installation. **SPARTAN MASONRY FRAMES** come standard with a prime coat, ready to be finished. Factory applied finish coat paint is available in many colors. Contact customer service for pricing and quantities required, for factory finish paint.

STANDARD FEATURES:

SPARTAN MASONRY FRAMES come with 1/2" returns. Masonry, Wood, and Existing Opening Anchoring (E.O.A.) systems are all available.

- 16 gauge for 1-3/4" doors
- Precision fitted corners
- Galvanized (standard)
- 7 gauge hinge reinforcements
- Heavy duty strike reinforcements
- Fire rated up to 3 hours
- Meets ANSI standards
- Universal 4 1/2" hinge prep

STOCK PROFILE

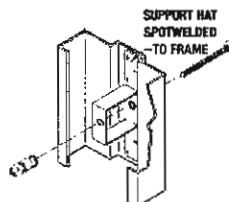
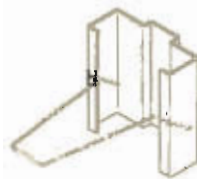
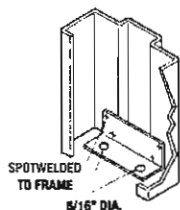


TYPICAL BASE AND WALL ANCHORS

One Piece Welded Based Anchor

Masonry Wire Anchor

Existing Opening Anchor (E.O.A.)

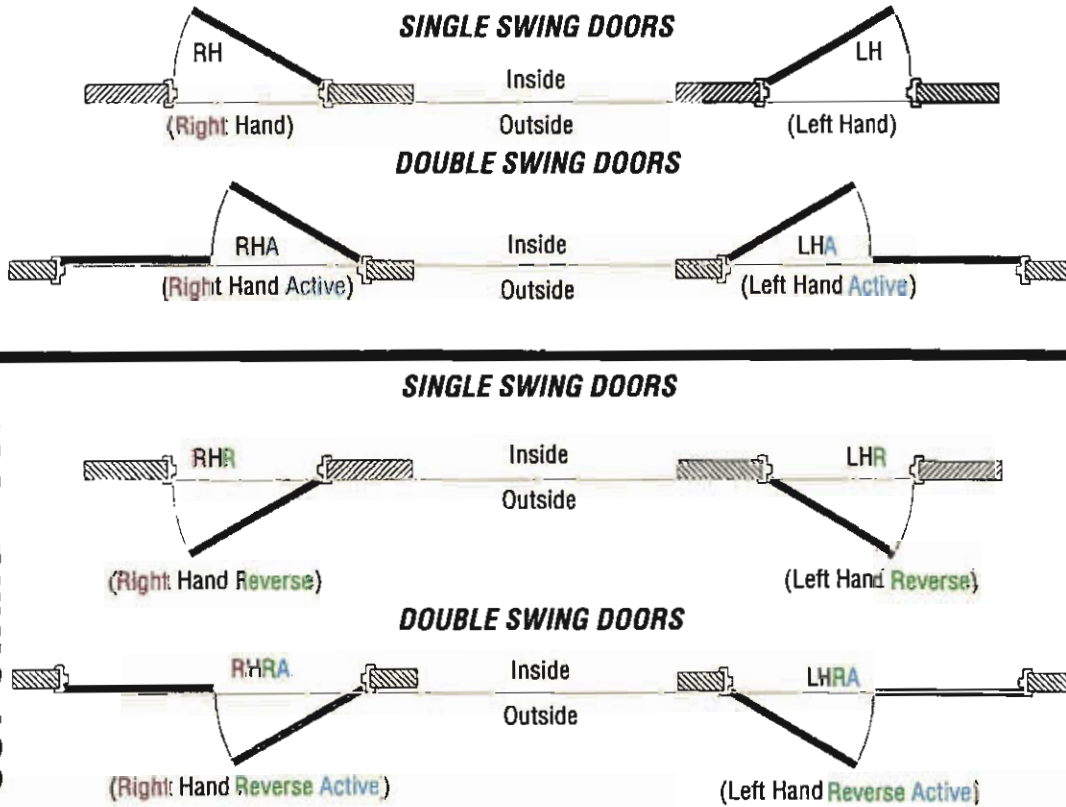


Technical Data

SPARTAN HOLLOW METAL HANDING CHART

Handing of doors and frames present a problem for many, even within the door industry. The below chart is designed to make your choice easy, reducing the chances of error.

IN-SWING DOORS
OUT-SWING DOORS



Non-Handed



Polystyrene Flush



Urethane Flush

