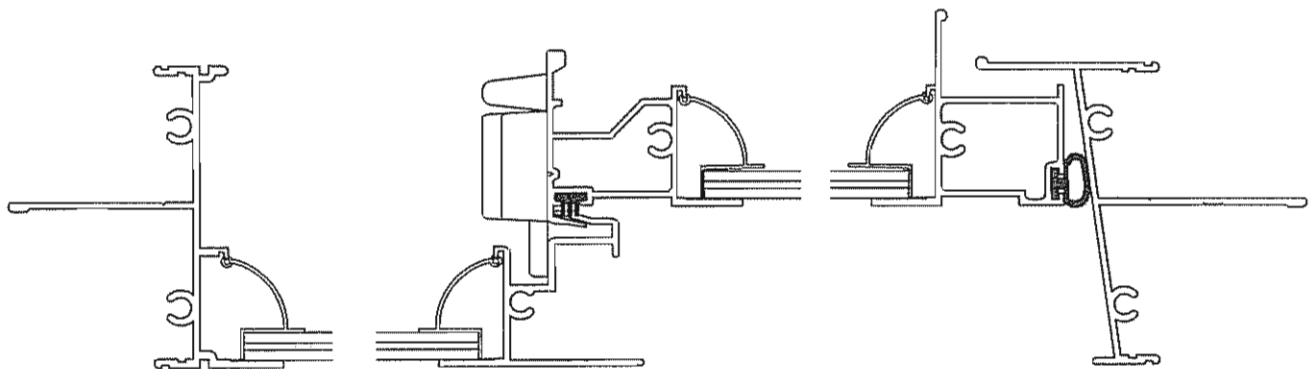
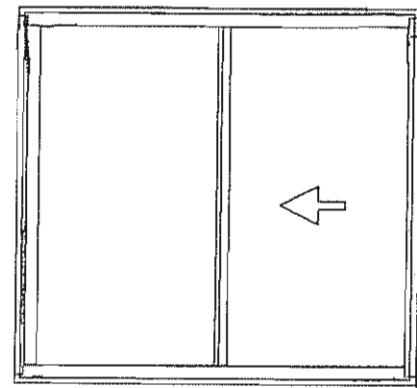
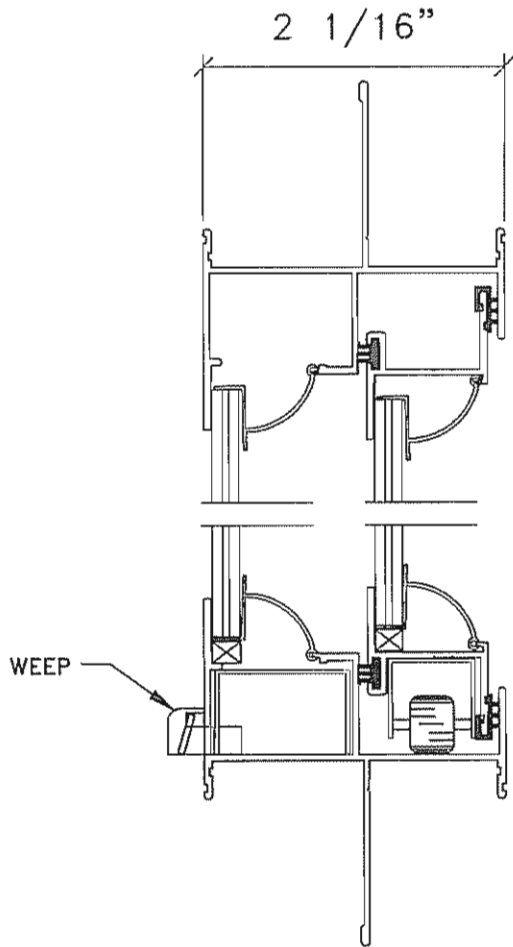
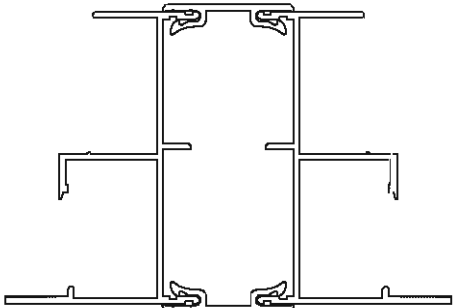
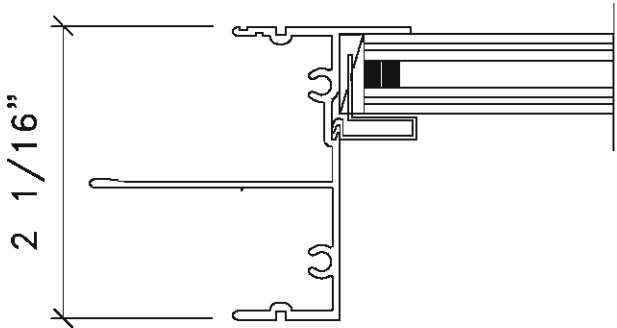
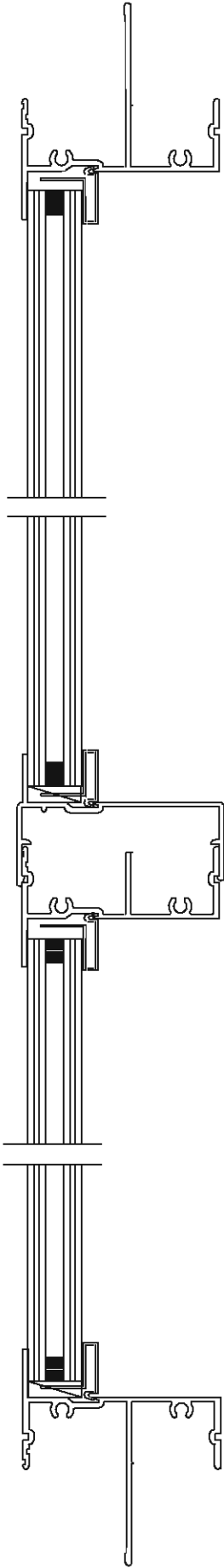


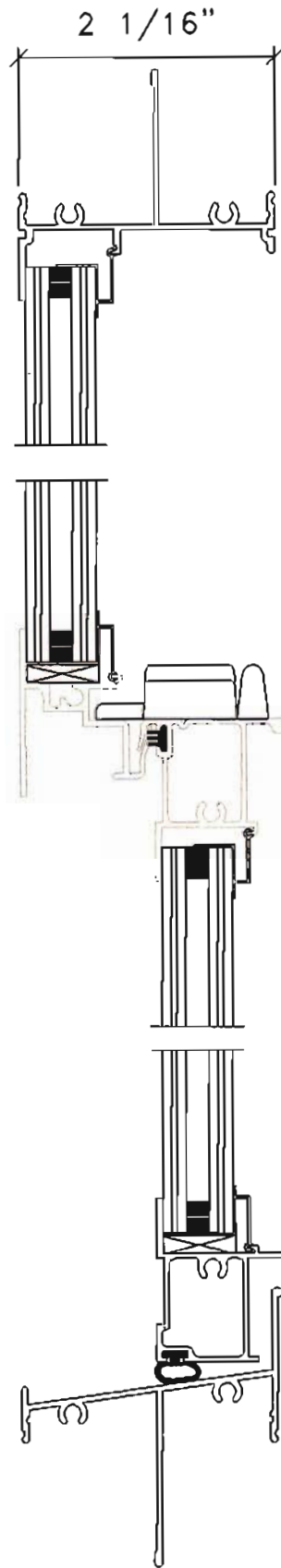
100 SERIES HORIZONTAL SLIDER



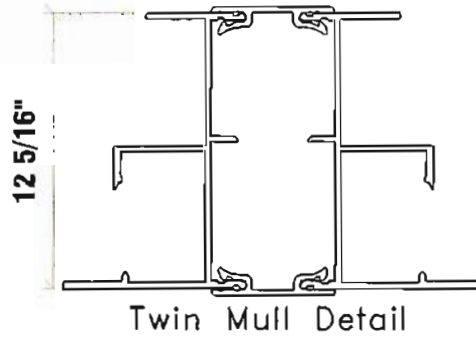
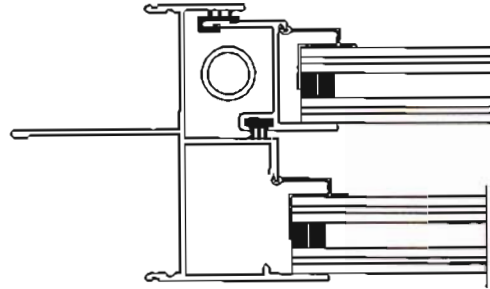
100 SERIES PICTURE WINDOW

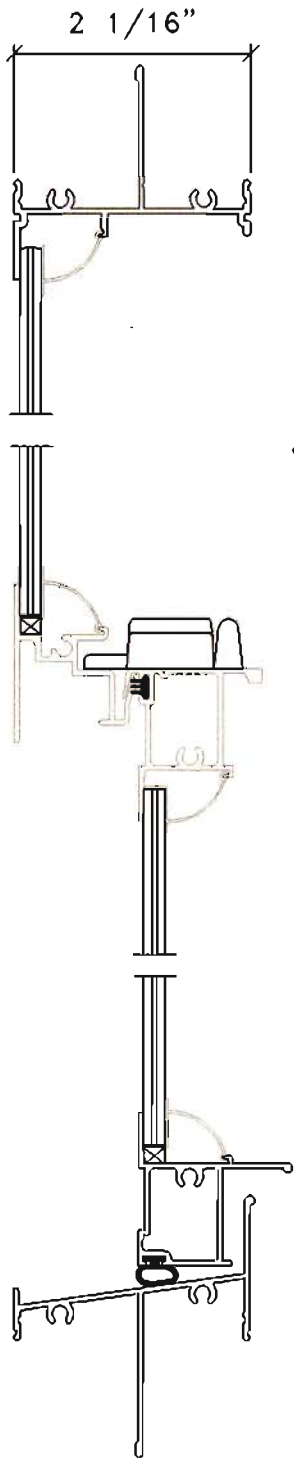


Twin Mull Detail

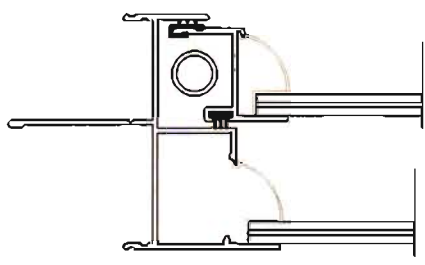


100 SERIES SINGLE HUNG

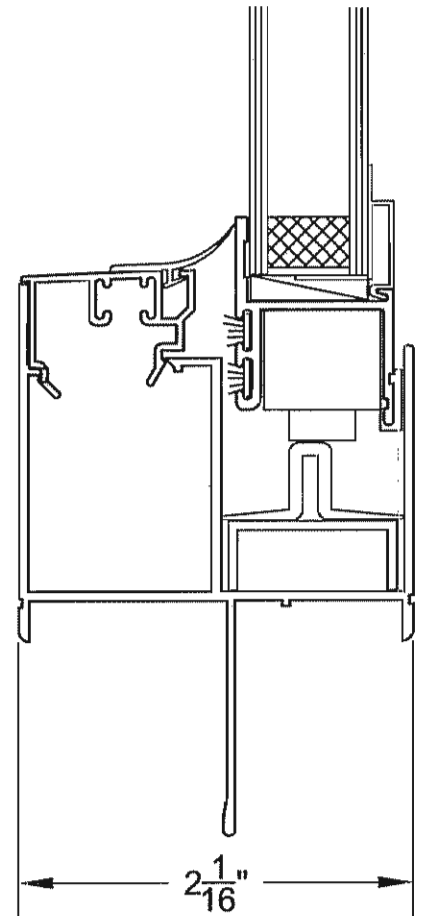
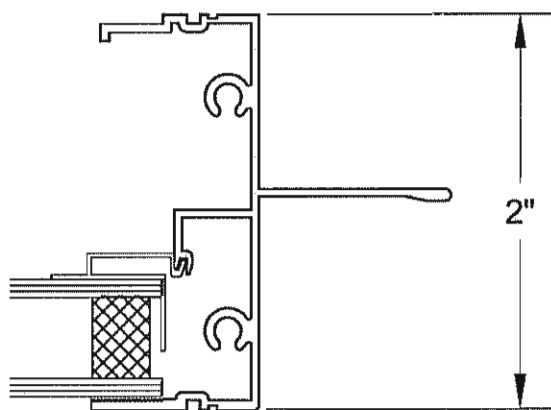
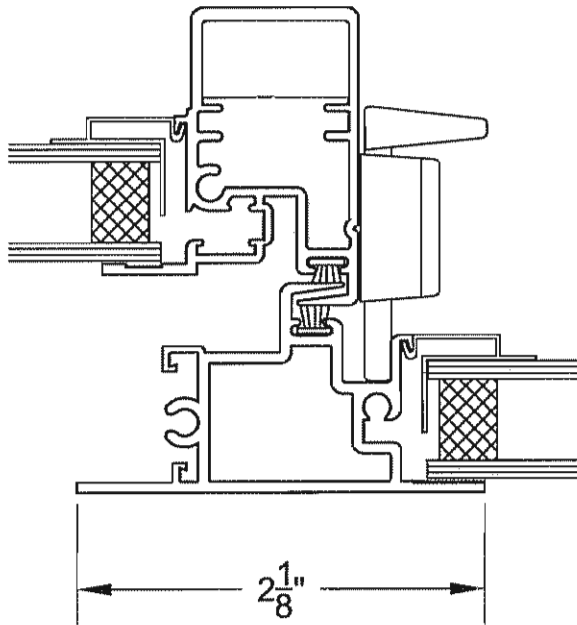
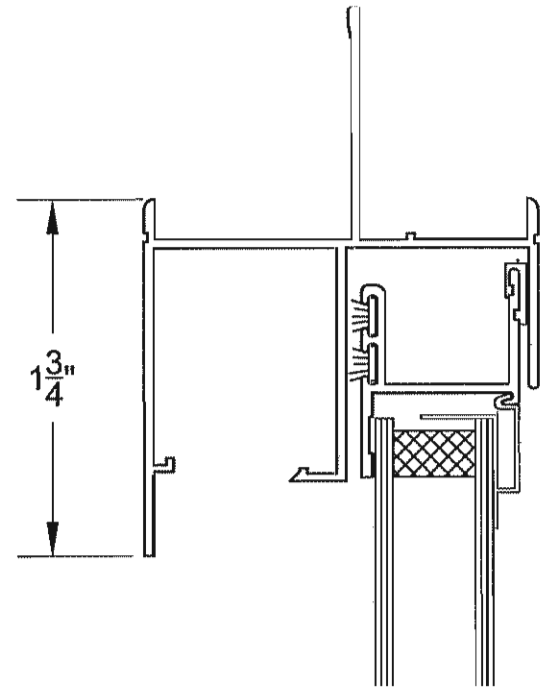
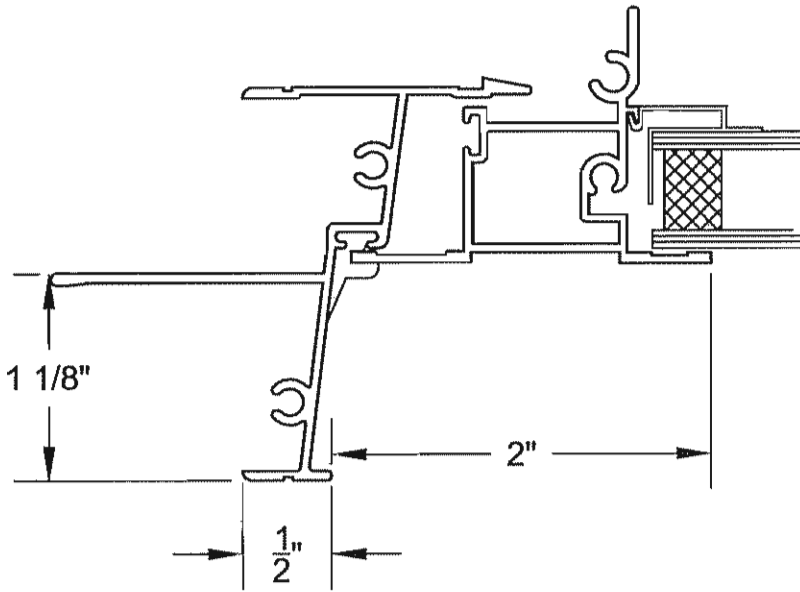




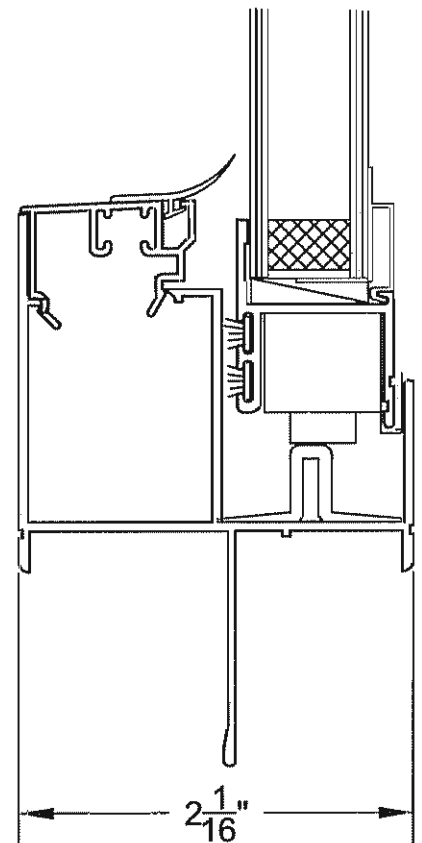
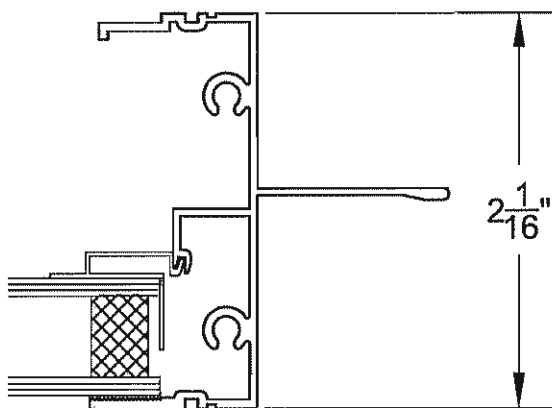
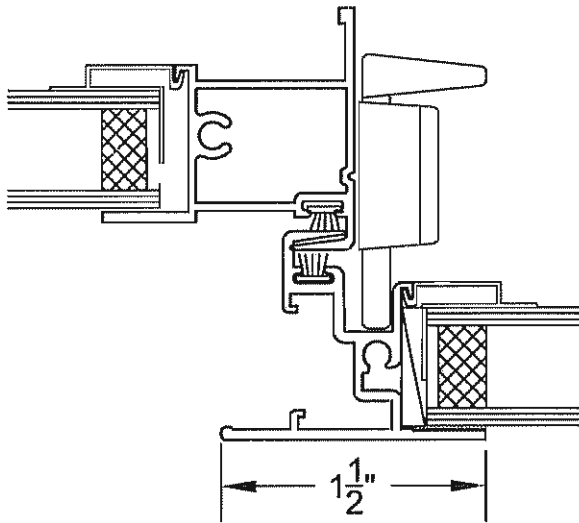
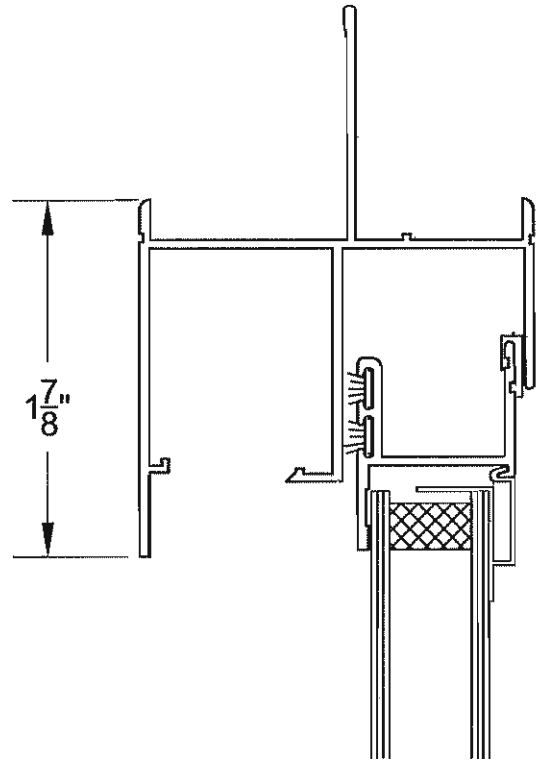
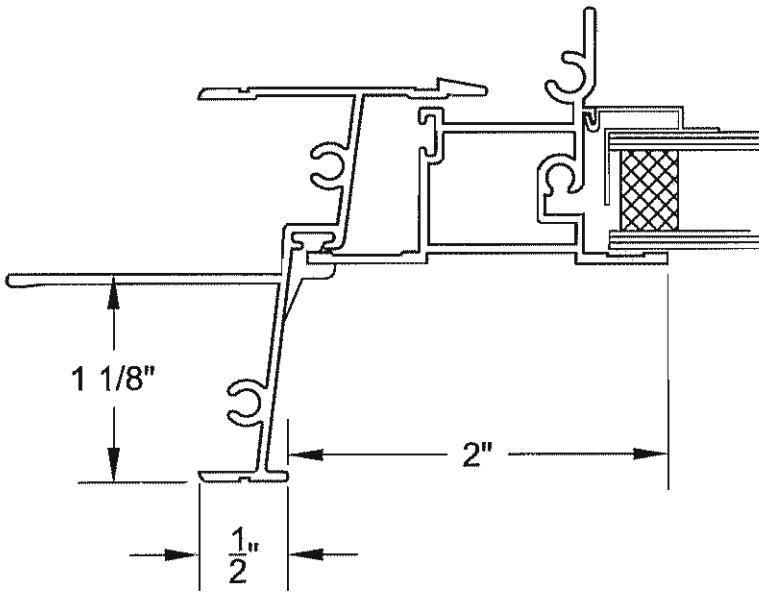
100 SERIES SINGLE HUNG SINGLE GLAZE



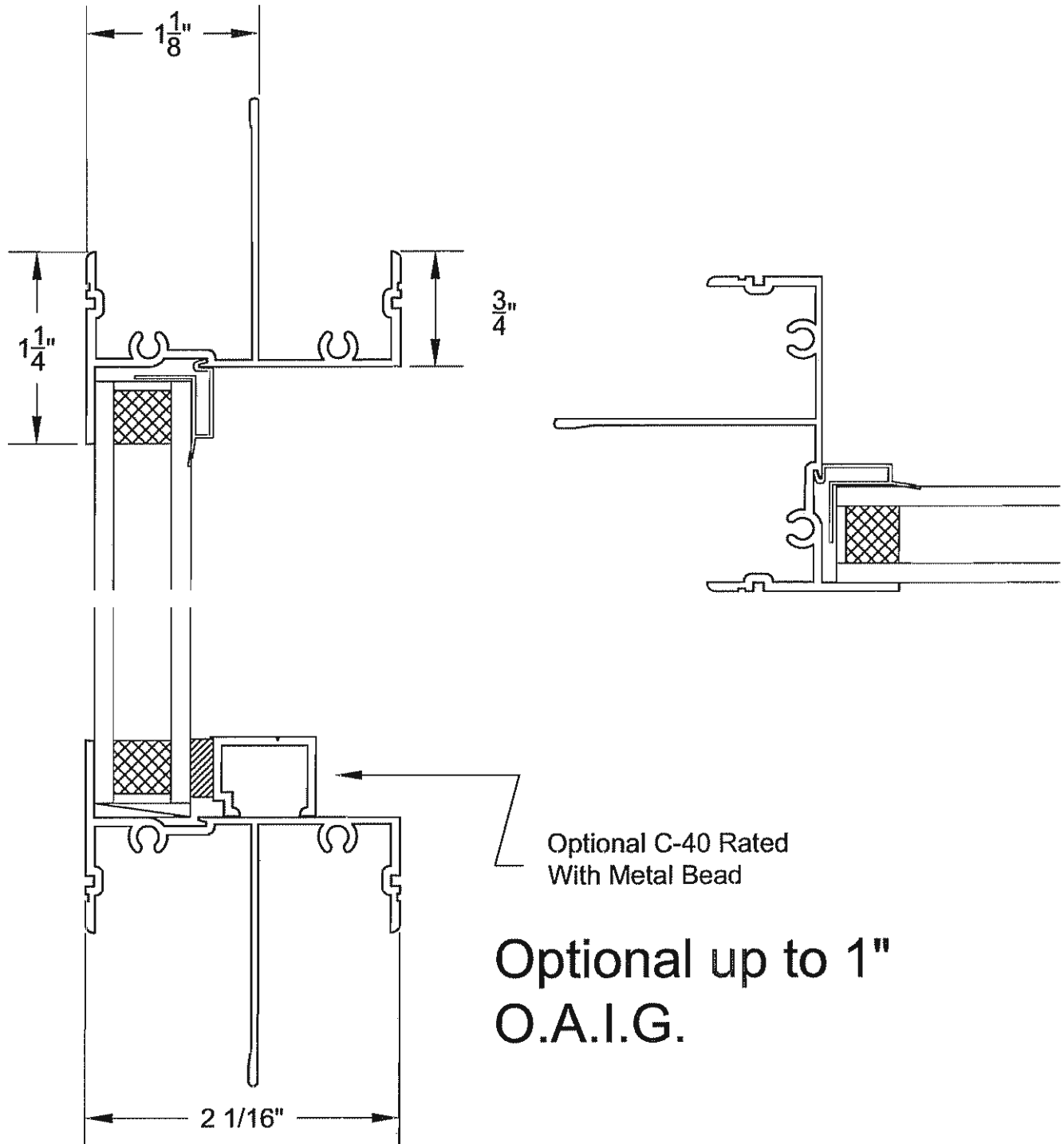
SERIES 200C HORIZONTAL SLIDER C-40



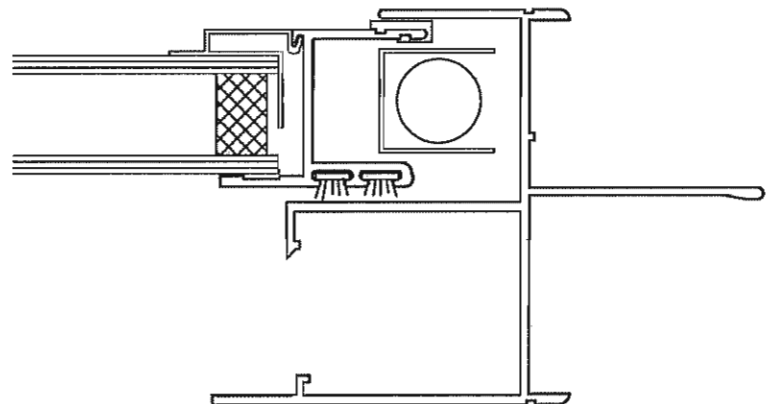
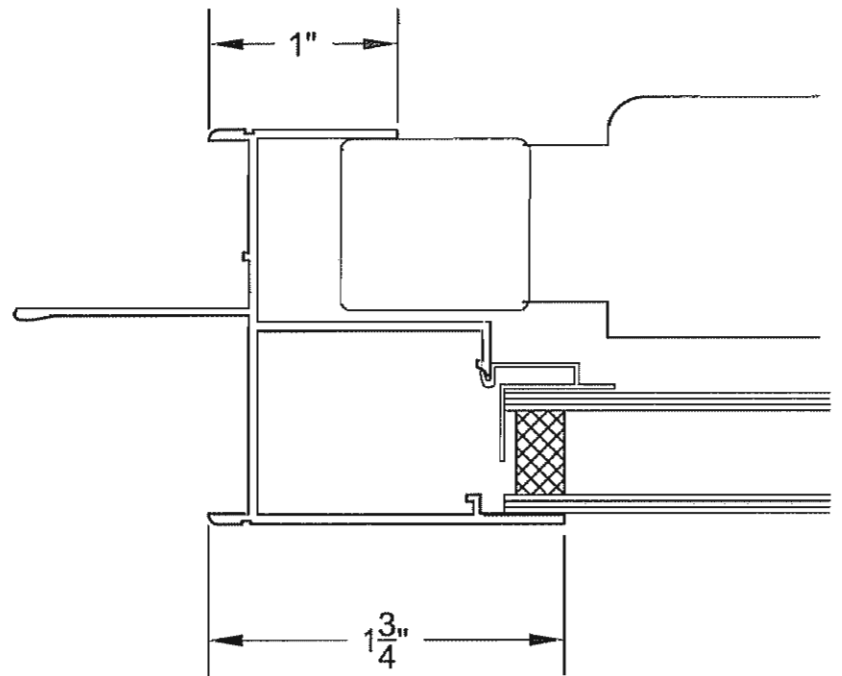
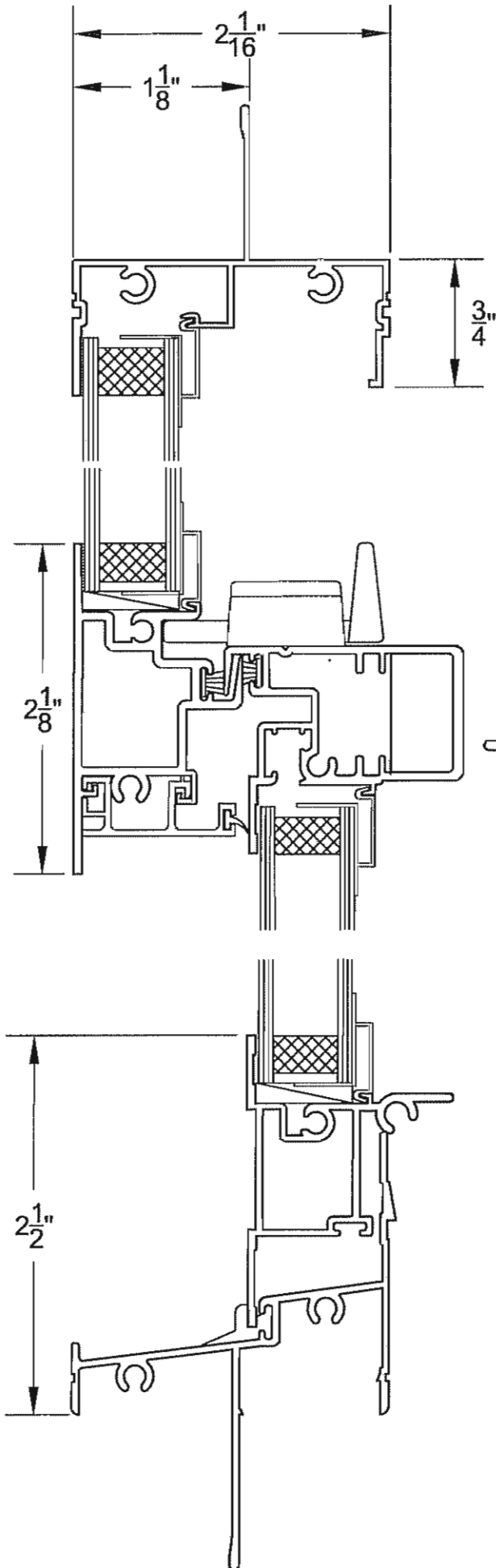
SERIES 200 HORIZONTAL SLIDER R-25 (



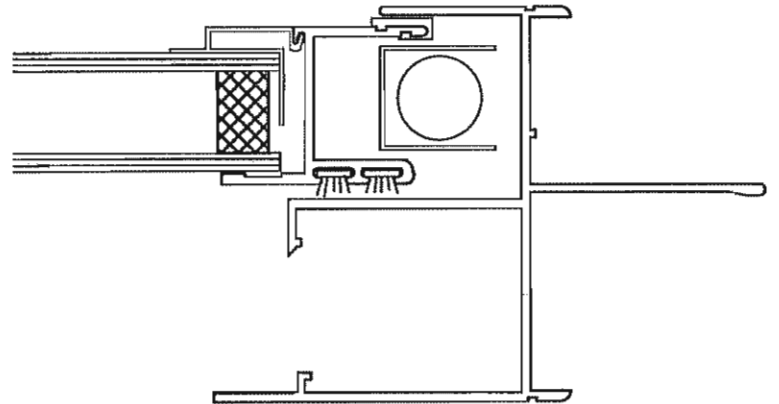
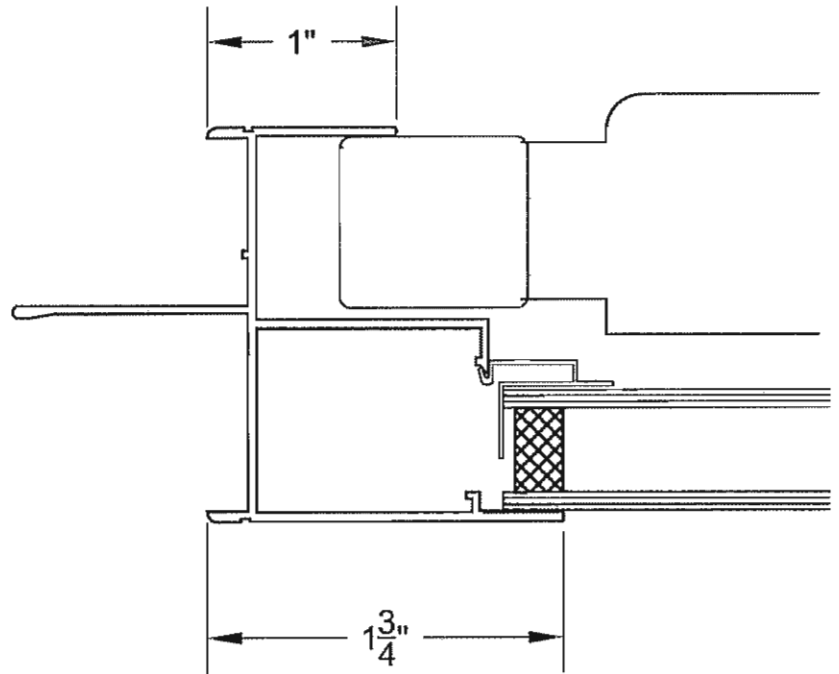
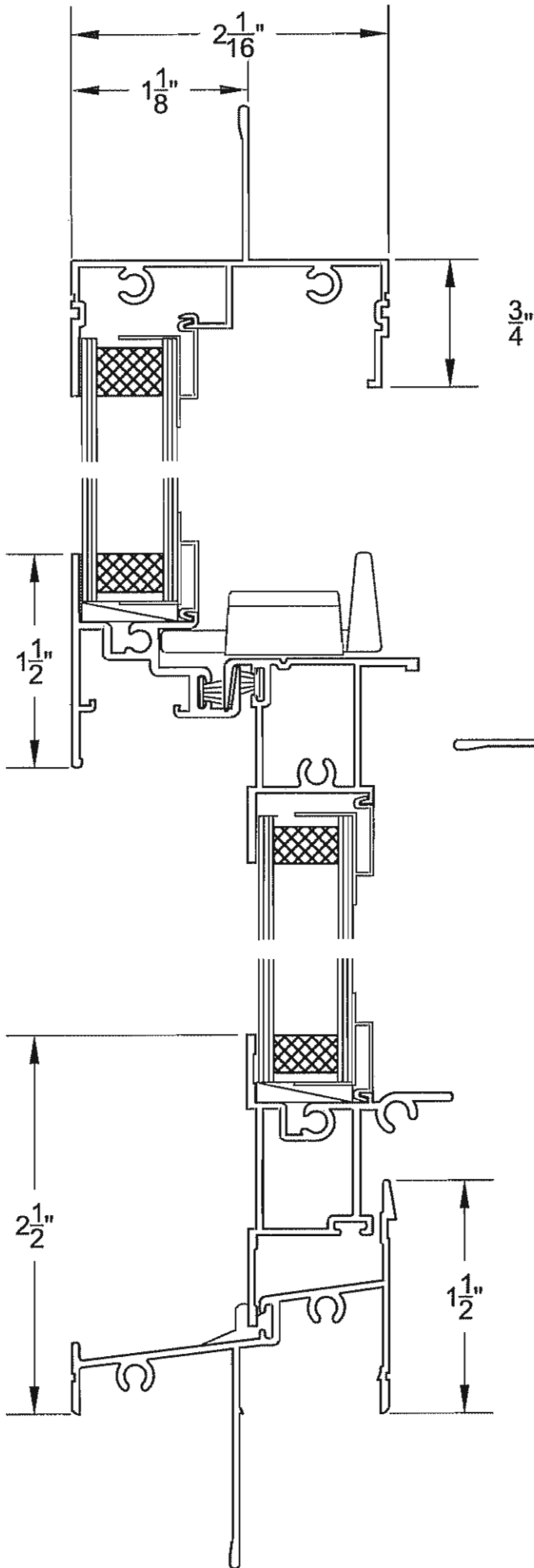
SERIES 200 PICTURE WINDOW
5/16" AIR SPACE
R-30

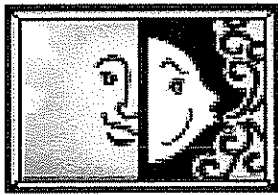


SERIES 200 SINGLE HUNG H-C40



SERIES 200 SINGLE HUNG R-30





Architectural Specifications

ALL SEASONS Residential 100, 300, 1100 & 1300 SERIES

MATERIALS

Frame and sash shall be made from 6063 T-5 extruded aluminum alloy and shall be .056" thick within commercial tolerances. Sash weather-stripping shall be Schlegal Poly bond wool pile on both stiles and interlocking center bar. A vinyl bulb will be used on each sill. Spiral balances shall be used on single hung windows. Glazing bead shall be to the inside. No outside vinyls will be used to avoid deterioration from the elements.

FABRICATION

FRAMES:

Frame shall be of extruded aluminum construction with machined corners and double screwed at each corner with sealant applied where necessary. Sill of frame shall be sloped for drainage. There shall be a vinyl bulb seal at the sill of each window.

SASH:

Windows shall be single hung with an operating lower sash. Sash rails (sash head and sash sill) are to be tubular and machined at both ends to telescope into the stiles and fastened with screws at each joint. Horizontal meeting rail shall have interlocking contact along the full length of the sash for maximum weather resistance. Sash stiles shall operate inside the jamb to prevent the sash from bowing inside during a wind load. The sash stile shall have schlegal poly bond wool pile weather-stripping on outside of each stile making contact with the outside jamb leg. The inside leg of the sash stile shall have a continuous sash stile guide along the full length of the sash stile to prevent the sash from bowing inside and losing weather-strip contact when under a wind load.

INSULATED GLASS:

Insulated glass shall have a minimum of 7/16" overall thickness and a 1/4" airspace. An optional 1/2" airspace is available. The insulated glass sealant shall be a hybrid butyl manufactured by Tremco (trade name of Swiggle). The sealant shall be no less than 5/16" wide and shall contain no filler strips or corner keys. There shall be no metal spacers used in combination with the insulated sealant between the glass that can conduct heat or cold from the outside pane of glass to the inside pane of glass.

HARDWARE:

Cam type latches shall be applied to the sash head. Sash shall be equipped with (2) Caldwell spiral balances.

GLAZING:

Sash to be factory glazed with single pane SSB, DSB, 3/16", 1/4", or insulated glass. Glazing is accomplished with an exterior vinyl spline supplied by the manufacturer and may be reusable for easy glass replacement. (Obscure, Bronze, Gray, Sunglass and Low E tint glass are readily available).

FINISH:

Windows are offered in natural aluminum finish or electrostatically applied baked enamel in bronze or white finish. Frame and sash members shall have a finish that is reasonably smooth and uniform in appearance.

INSECT SCREENS:

Full or half screens may be used with prime windows. Insect screens shall be provided when specified and be of ALL SEASONS products standard approved design. Half screens shall be 3/8 x 9/16 x .020 with an additional 5/16 lip to aid in strength and sealing. Screen frame is to be made of roll formed aluminum. Screen cloth shall be a fiberglass mesh. Screens shall conform to ANSI / SMR 1004 – 1975 specifications. (WARNING: Insect screens are intended only to provide reasonable insect control. They are not intended to prevent people or objects from exiting the window or to provide security against forced entry.)

INSTALLATION

(By others) Frames should be installed straight plumb and level without springing or twisting and securely fastened in place according to the recommended installation details. Installation nails or screws are not recommended for the head nail fin when being installed on new lumber. The installer shall load the sash and make final adjustments to assure proper sash operation and window performance. The installer shall check to see that the interlock and sash sill are not contaminated with grout or putty during construction, thereby interfering with sash operation and weather-stripping capabilities.

MISCELLANEOUS

In areas where condensation is a problem, ALL SEASONS recommends the use of thermally improved frames such as the 400, 600 or 800 series to reduce, (but will not eliminate under all conditions), condensation on exposed surfaces. All Seasons reserves the right to make changes at any time in design or materials without decreasing the performance and to discontinue products without notice.